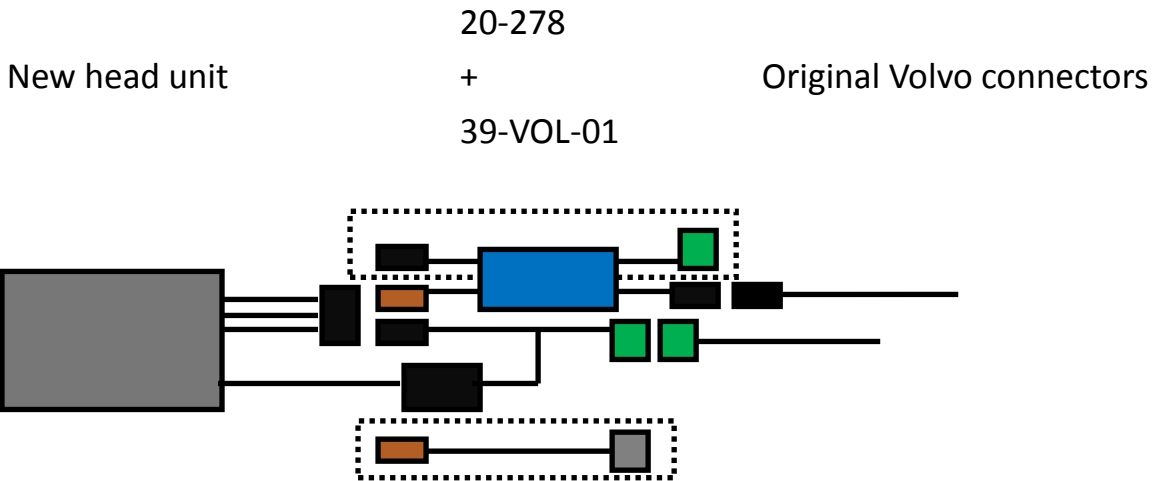
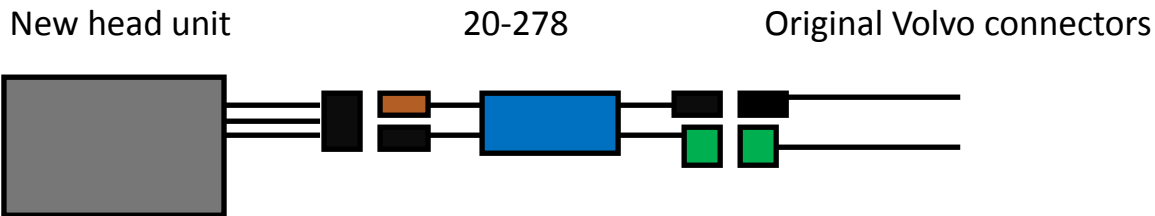
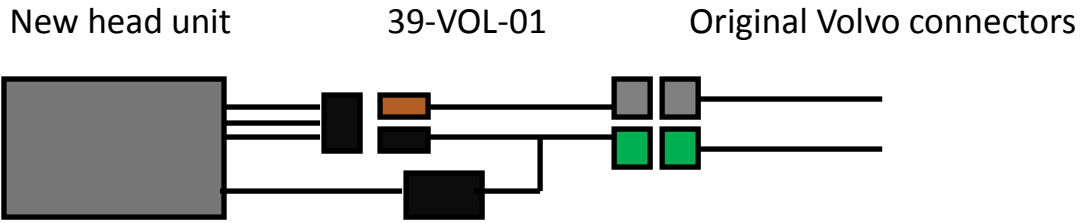


Volvo installations

How to use 39-VOL-01 and 20-278 together



Connectors that do not need to be connected.

Use the 20-278 for the speaker connections. Brown ISO and round DIN connector.

Use the 39-VOL-01 for the power and steering control connections. Black ISO and green Volvo connector.